



COMPACT LOADERS

S450



One Tough Animal™

S450 — SPECIFICATIONS

MACHINE RATING	S450i4 ¹	S450T2 ²
Rated operating capacity (Bobcat)	590.0 kg	590.0 kg
Tipping load	1215.0 kg	1215.0 kg
Pump capacity	64.0 L/min	64.0 L/min
System relief at quick couplers	23.0 MPa	22.4-23.1 MPa
Max. travel speed (high range - option)	14.8 km/h	14.8 km/h
Max. travel speed (low range)	11.4 km/h	11.4 km/h

¹L114 - Interim Tier 4 model / L12 - Tier 2 model

ENGINE	S450i4 ¹	S450T2 ²
Make / Model	Kubota / V2403-M-D1-E3	Kubota / V2203-M-D1-E2B-BC-3
Fuel	Diesel	Diesel
Cooling	Liquid	Liquid
Power	36.4 kW at 2700.0 RPM	36.4 kW at 2800.0 RPM
Torque (SAE J1995)	158.6 Nm at 1600.0 RPM	150.0 Nm at 1700.0 RPM
Number of cylinders	4	4
Displacement	2196.0 cm ³	2196.0 cm ³
Fuel tank	54.5 L	54.5 L

WEIGHTS	S450i4 ¹	S450T2 ²
Operating weight		2240.0 kg
Shipping weight		2052.0 kg

CONTROLS	S450i4 ¹	S450T2 ²
Vehicle steering		Direction and speed controlled by two hand levers
Loader hydraulics tilt and lift		Separate foot pedals or optional Advanced Control System (ACS) or Selectable Joystick Controls (SJC)
Front auxiliary (standard)		Electrical switch on right-hand steering lever

DRIVE SYSTEM	S450i4 ¹	S450T2 ²
Transmission		Infinitely variable tandem hydrostatic piston pumps, driving two fully reversing hydrostatic motors

STANDARD FEATURES	S450i4 ¹	S450T2 ²
<ul style="list-style-type: none"> Cushion suspension seat Automatically activated glow plugs Auxiliary hydraulics: variable flow/maximum flow Bob-Tach™ frame Bobcat Interlock Control System (BICS) 10 x 16.5, 10-ply, Heavy duty tyres Deluxe operator cab Includes interior cab foam, side, top and rear windows, Deluxe wire harness, dome light, and electrical power port¹ Electrically activated proportional front auxiliary hydraulics 	<ul style="list-style-type: none"> Engine/hydraulics system shutdown Instrumentation Lift arm support Noise reduction kit Operating lights, front and rear Parking brake Seat belt Seat bar Spark arrestor or muffler 	

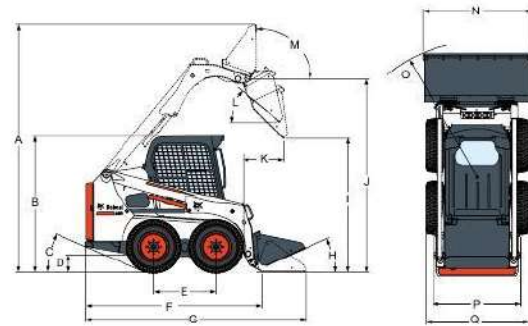
¹L114 - Roll Over Protective Structure (ROPS) - meets requirements of SAE-J1040 and ISO 3471; Falling Object Protective Structure (FOPS) - meets requirements of SAE-J1043 and ISO 3449; Level II

OPTIONS	S450i4 ¹	S450T2 ²
<ul style="list-style-type: none"> Deluxe instrument panel Power Bob-Tach™ Cab enclosure Cab enclosure with heating Cab enclosure with HVAC Hydraulic bucket positioning (including ON/OFF switch) 10 x 16.5, 10-ply, Severe duty tyres 10 x 16.5, 12-ply, Severe duty tyres, poly filled 	<ul style="list-style-type: none"> 10 x 16.5, Solid Flex tyres Advanced Control System (ACS) Selectable Joystick Controls (SJC) Air ride seat with 2 point seat belt Radio Strobe Back-up alarm Beacon 	

ENVIRONMENTAL	S450i4 ¹	S450T2 ²
Operator LpA(98/37 & 474-1)		84 dB(A)
Noise level LWA		101 dB(A)
Whole body vibration (ISO 2631-1) High speed		1.29 ms ⁻²
Whole body vibration uncertainty		0.52 ms ⁻²
Hand-arm vibration (ISO 5349-1) High speed		1.73 ms ⁻²

DIMENSION

All dimensions in mm.



A	3558.0 mm	J	2781.0 mm
B	1976.0 mm	K	587.0 mm
C	23°	L	40°
D	214.0 mm	M	96°
E	900.0 mm	N	1575.0 mm
F	2502.0 mm	O	1940.6 mm
G	3172.0 mm	P	1221.7 mm
H	26°	Q	1490.0 mm
I	2157.0 mm		

ATTACHMENTS

Angle Brooms	Planers
Augers	Root Grapples
Backhoes	Scarifiers
Bale Forks	Scrapers
Breakers	Seeders
Brush Saws	Skeleton Buckets
Bucket Adapters	Snow & Light Material Buckets
Concrete Mixers	Snow Blades
Construction / Industrial Buckets	Snowblowers
Cutter Crushers	Snow Pushers
Diggers	Snow V-Blades
Dozer Blades	Sod Layers
Dumping Hoppers	Soil Conditioners
Fertilizer Buckets	Spare Wheels
Flail Cutters	Spreaders
General Purpose Buckets	Stabilizers
Graders	Sweepers
Grapples, Industrial	Tillers
Landplanes	Tilt-Tatch
Landscape Rakes	Tracks
Laser Equipment	Trenchers
Low Profile Buckets	Utility Forks
Mowers	Utility Frames
Packer Wheels	Vibratory Rollers
Pallet Fork Accessories	Water Kits
Pallet Forks, Hydraulic	Whisker Brooms
Pallet Forks, Standard	

Specifications and design are subject to change without notice. Pictures of Bobcat products may show other than standard equipment.



Bobcat®



AP/E - DOOSAN TOWER - Euljiro 6 Ga - Jung Gu, Seoul, Korea
 NA - P.O. BOX 6000 - West Fargo, ND 58078, U.S. (www.bobcat.com)
 EMEA - Dreve Richelle 167 - B-1410 Waterloo, Belgium (www.bobcat.eu)

COMPACT, COMFORT AND CONTROL

Picture the acclaimed cab of the 500 series loaders on this compact machine. For the first time in this class, large machine comfort and technology are built into a compact: for greater operator space, comfort and control.

- New cab-forward design gives you greater visibility and safety.
- Largest cab door on this size of machine.
- HVAC and pressurized cab as a first on a machine of this size.



Performance and Control

- Redesigned hydraulic and transmission systems for improved productivity.
- New lift arm design for flatter lift curve and use of dual tilt cylinders.
- Optional Selectable Joystick controls have operator seat mounted joysticks for increased control and comfort. Plus, 2-speed option for faster travel speed.



Uptime

- New frame and lift arms for greater durability in heavy-duty applications.
- Integrated rear bumper extends beyond the frame to protect the tailgate.
- Long-life hydraulic oil filter extends service intervals.
- Automatic drive belt tensioner.



Serviceability

Improvements to key service components:

- Battery access and fuse box.
- Air filter access and cover.
- Hydraulic tank level and filters.
- Easy clean cooling package.
- Simplified grease points.